

Medium Pressure Centrifugal Fans MA 26-31 Series

- Forward alluminium impeller fan.
- Cast aluminium housing.
- Cast aluminium impeller.
- Epoxy powder finishing coat.
- Standard asynchronous squirrel-cage motor with IP-55 protection and Class F insulation. Manufactured with standard voltages: 230V 50Hz in single phase motors and 230/400V 50Hz in three phase motors.
- Standard position LG 270.

Under request:

60Hz fans and special voltages.
Position: LG 0, LG 45, LG 90, LG 135, LG 180, LG315.

Designed for inline installation, they are suitable for Industrial applications, extraction or injection of air. Cooling of machines and parts.

Clean and slightly dusty air transport.

Maximum working temperature: carried air: 130°C, ambient: 60°C.

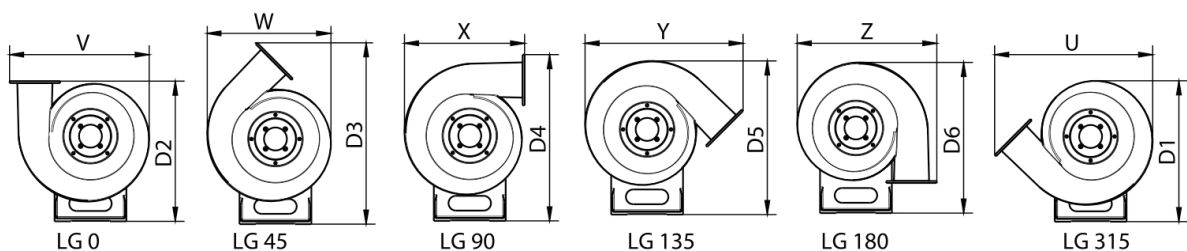
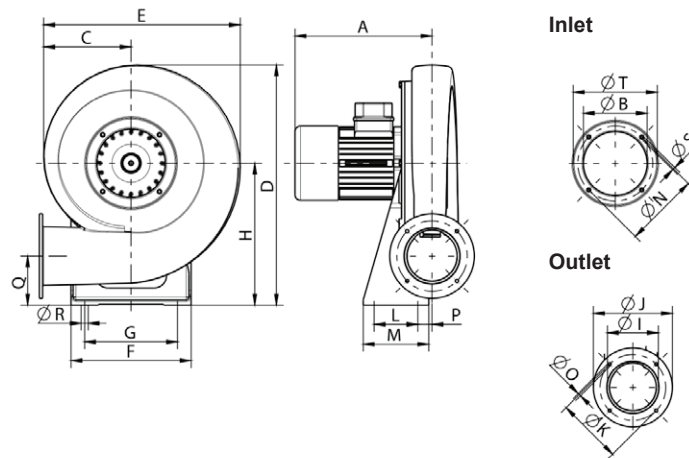


Technical Characteristics MA 26-31 Series 230V

Type	Power (kW)	RPM	Air Flow (m³/h)	Sound db (A)	Weight (Kg)	Price
MA 26 M2 0,37kW	0,37	2.800	750	63	13	€ 741,00

Technical Characteristics MA 26-31 Series 400V

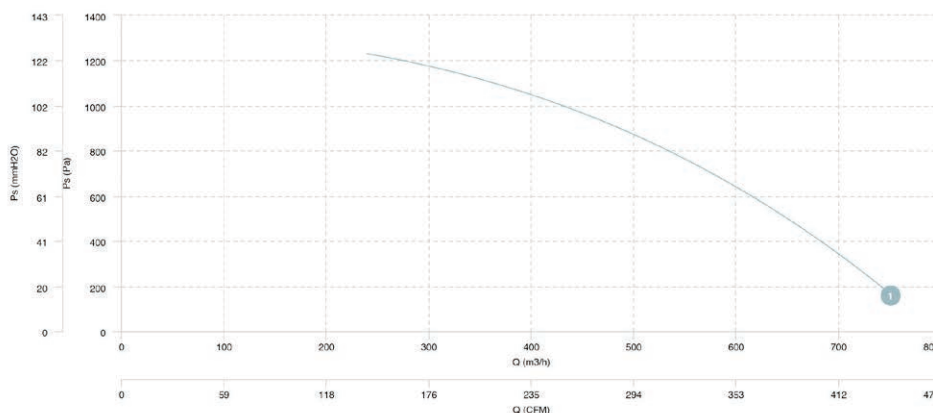
Type	Power (kW)	RPM	Air Flow (m³/h)	Sound db (A)	Weight (Kg)	Price
MA 26 T2 0,37kW	0,37	2.800	750	63	13	€ 704,00
MA 27 T2 0,55kW	0,55	2.800	860	66	14	€ 872,00
MA 28 T2 1,10kW	1,10	2.800	1.450	68	20	€ 1.118,00
MA 31 T2 2,20kW	2,20	2.800	2.170	72	30	€ 1.485,00



Dimensions MA 26-31 (mm)																
Type	A	B	C	D	D1	D2	D3	D4	D5	D6	E	F	G	H	I	J
MA 26	240	110	162	413	405	402	519	473	440	431	353	210	160	240	90	140
MA 27	250	125	168	440	431	428	552	505	470	460	368	220	170	260	100	155
MA 28	275	125	168	440	470	468	605	558	516	505	393	230	180	290	130	182
MA 31	320	160	193	530	518	513	668	620	568	555	428	240	190	323	140	200

Dimensions MA 26-31 (mm)																
Type	K	L	M	N	O	P	Q	R	S	T	U	V	W	X	Y	Z
MA 26	119	65	105	132	6,2	18,5	77	13	M6	152	460	406	363	353	460	406
MA 27	129	80	120	147	6,2	26	90	13	M6	165	482	425	381	168	482	425
MA 28	160	100	140	162	10,2	20	113	13	M6	187	518	460	406	393	518	460
MA 31	175	120	160	180	10,2	18,5	120	13	M6	215	570	510	445	428	570	510

1 MA 26 M2 0,37kW



1 MA 26 T2 0,37kW 2 MA 27 T2 0,55kW 3 MA 28 T2 1,1kW 4 MA 31 T2 2,2kW

