



Medium Pressure Centrifugal Fans MA PR Series

- Cast aluminium housing.
- Straight blade steel sheet or cast aluminium impellers.
- Epoxy powder coat finishing.
- Squirrel cage asynchronous standard motor, IP-55 protection and rated class F insulation. Standard voltages 230/400V 50Hz.
- Standard orientation: LG270.

Under request:

60Hz fans and special voltages.

2 speed motors.

Orientation: LG0, LG45, LG90, LG135, LG180, LG315.

Designed for inline installation, they are suitable for Solid material transport (except for textile fibers).

Maximum working temperature: carried air: 130°C, ambient: 60°C.

Technical Characteristics MA PR Series 230V

Type	Power (kW)	RPM	Air Flow (m³/h)	Sound db (A)	Weight (Kg)	Price
MA 26 T2 0,37kW P/R	0,37	2.800	700	51	14	€ 898,00
MA 27 T2 0,55kW P/R	0,55	2.800	850	53	16	€ 1.035,00
MA 28 T2 0,75kW P/R	0,75	2.800	1.400	55	21	€ 1.308,00
MA 31 T2 1,50kW P/R	1,50	2.800	1.800	58	25	€ 1.693,00

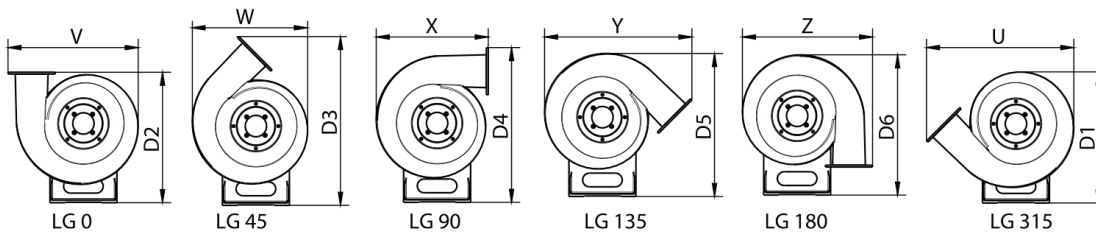
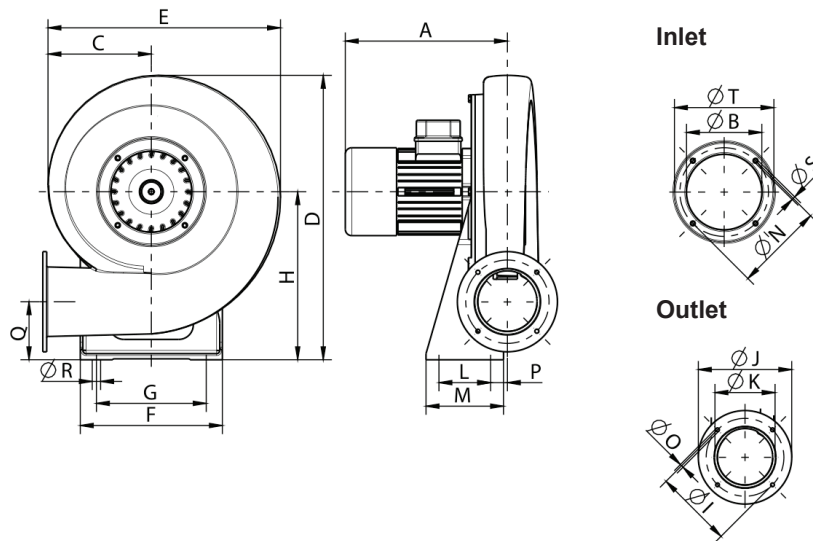
Dimensions MA PR (mm)

Type	A	B	C	D	D1	D2	D3	D4	D5	D6	E	F	G	H	I	J
MA 26 T2 0,37kW P/R	240	110	162	413	405	402	519	473	440	431	353	210	160	240	119	140
MA 27 T2 0,55kW P/R	250	125	168	440	431	428	552	505	470	460	368	220	170	260	129	155
MA 28 T2 0,75kW P/R	275	125	168	440	470	468	605	558	516	505	393	230	180	290	160	182
MA 31 T2 1,50kW P/R	320	160	193	530	518	513	668	620	568	555	428	240	190	323	175	200

Dimensions MA PR (mm)

K	L	M	N	O	P	Q	R	S	T	U	V	W	X	Y	Z
90	65	105	132	6,2	18,5	77	13	M6	152	460	406	363	353	460	406
100	80	120	147	6,2	26	90	13	M6	165	482	425	168	168	482	425
134,5	100	140	162	10,2	20	113	13	M6	187	518	460	406	393	518	460
145	120	160	180	10,2	18,5	120	13	M6	215	570	510	445	428	570	510





- 1 MA 26 T2 0,37kW P/R
- 2 MA 27 T2 0,55kW P/R
- 3 MA 28 T2 0,75kW P/R
- 4 MA 31 T2 1,5kW P/R

