



Designed for inline installation, they are suitable for Industrial applications, extraction or injection of air.
Cooling of machines and parts.
Clean air transport.
Exhaust after filters, separators and cyclones.
Pneumatic transport.
Maximum working temperature: carried air: 130°C, ambient: 60°C.

High Pressure Single Inlet Centrifugal Fans AAVC Series

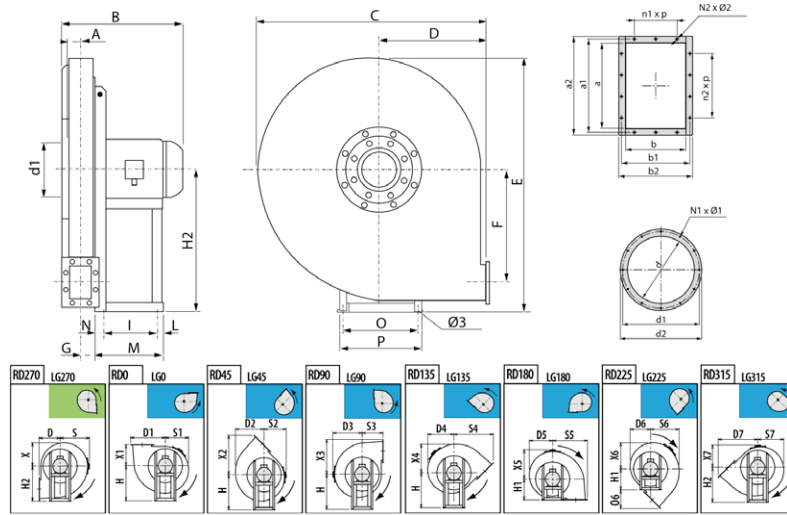
- Fan made of Fe360 sheet. The fan paint finish is based on a Qualicoat polyester powder coating stoved at 200°C, with an average film thickness of 70 microns. Average heat resistance of coating is 180°C with peaks of 200°C.
- Fully welded housing.
- High efficiency simple inlet backward curved impeller made of Fe360 sheet statically and dynamically balanced. Impellers are painted with epoxy primer that resists temperatures up to 300°C.
- Standard asynchronous squirrel-cage motor with IP-55 protection and class F insulation.
- Manufactured with standard voltages: 230/400V 50Hz in three phase motors up to 4kW and 400/690V 50Hz for higher powers.
- Standard orientation LG270.
- It allows adjusting the orientation locally.

Under request:

60Hz fans and special voltages.
2 speed motors.
Spark-proof fans with ATEX certified motor.
Fan for air working temperatures up to 250°C with R/R (cooling impeller).
Hot-dipped galvanised or stainless steel fans.

Technical Characteristics AAVC Series

Type	Power (kW)	RPM	Air Flow (m³/h)	Sound db (A)	Weight (Kg)	Price
AAVC/N 500 T2 1,5kW	1,50	2.865	790	57	43,0	€ 3.156,00
AAVC/N 560 T2 2,2kW	2,20	2.840	870	58	69,0	€ 3.832,00
AAVC/N 630 T2 4kW	4,00	2.880	1.230	63	133,0	€ 4.895,00
AAVC/N 630 T2 5,5kW	5,50	2.910	1.620	63	143,0	€ 5.199,00
AAVC/N 710 T2 7,5kW	7,50	2.910	1.800	67	204,0	€ 6.949,00
AAVC/N 710 T2 11kW	11,00	2.940	2.520	68	238,0	€ 5.982,00
AAVC/N 800 T2 11kW	11,00	2.940	1.800	71	254,0	€ 8.165,00
AAVC/N 800 T2 15kW	15,00	2.935	2.880	72	254,0	€ 8.400,00
AAVC/N 900 T2 18,5kW	18,50	2.940	2.160	74	348,0	€ 10.081,00
AAVC/N 900 T2 22kW	22,00	2.940	3.240	74	404,0	€ 10.792,00
AAVC/N 1000 T2 37kW	37,00	2.955	3.600	78	577,0	€ 14.943,00
AAVC/N 1000 T2 45kW	45,00	2.960	6.300	79	657,0	€ 16.198,00
AAVC/N 1120 T2 55kW	55,00	2.960	3.600	82	815,0	☒
AAVC/N 1120 T2 75kW	75,00	2.975	7.200	84	945,0	☒
AAVC/NR 500 T2 1,1kW	1,10	2.800	650	56	40,0	€ 3.059,00
AAVC/NR 560 T2 1,5kW	1,50	2.865	540	58	66,0	€ 3.769,00
AAVC/NR 630 T2 3kW	3,00	2.880	1.080	61	118,0	€ 4.784,00
AAVC/NR 630 T2 4kW	4,00	2.880	1.370	61	132,0	€ 4.895,00
AAVC/NR 710 T2 5,5kW	5,50	2.910	1.440	66	200,0	€ 5.819,00
AAVC/NR 710 T2 7,5kW	7,50	2.910	1.800	67	200,0	€ 5.982,00
AAVC/NR 800 T2 7,5kW	7,50	2.910	1.230	70	214,0	€ 8.165,00
AAVC/NR 800 T2 11kW	11,00	2.940	2.520	71	248,0	€ 7.198,00
AAVC/NR 900 T2 15kW	15,00	2.935	2.160	73	333,0	€ 9.728,00
AAVC/NR 900 T2 18,5kW	18,50	2.940	3.240	74	345,0	€ 10.081,00
AAVC/NR 1000 T2 30kW	30,00	2.955	3.240	77	570,0	€ 14.464,00
AAVC/NR 1000 T2 37kW	37,00	2.955	4.500	78	570,0	€ 14.943,00
AAVC/NR 1120 T2 45kW	45,00	2.960	4.500	81	725,0	☒
AAVC/NR 1120 T2 55kW	55,00	2960	5.400	82	815,0	☒



Dimensions AAVC (mm)

Type	A	B	C	D	D1	D2	D3	D4	D5	D6	D7	E	F	G	H
AAVC/N 500 T2 1,5kW	45	391	745	335	430	386	410	370	346	350	541	796	347	42	450
AAVC/N 560 T2 2,2kW	50	401	835	375	482	438	460	418	391	392	606	891	393	48	500
AAVC/N 630 T2 4kW	58	463	940	425	539	493	515	472	441	438	681	1001	443	53	560
AAVC/N 630 T2 5,5kW	58	503	940	425	539	493	515	472	441	438	681	1001	443	53	560
AAVC/N 710 T2 7,5kW	67	518	1045	475	605	547	570	522	493	489	764	1123	497	58	630
AAVC/N 710 T2 11kW	67	623	1045	475	605	547	570	522	493	489	764	1123	497	58	630
AAVC/N 800 T2 11kW	73	635	1170	530	678	622	640	592	554	545	854	1264	560	64	710
AAVC/N 800 T2 15kW	73	635	1170	530	678	622	640	592	554	545	854	1264	560	64	710
AAVC/N 900 T2 18,5kW	84	649	1315	600	759	696	715	668	628	617	961	1428	631	71	800
AAVC/N 900 T2 22kW	84	730	1315	600	759	696	715	668	628	617	961	1428	631	71	800
AAVC/N 1000 T2 37kW	90	856	1460	670	846	775	790	735	690	670	1074	1590	707	80	900
AAVC/N 1000 T2 45kW	90	898	1460	670	846	775	790	735	690	670	1074	1590	707	80	900
AAVC/N 1120 T2 55kW	103	1026	1630	750	942	898	880	857	770	713	1196	1770	791	91	1000
AAVC/N 1120 T2 75kW	103	1029	1630	750	942	898	880	857	770	713	1196	1770	791	91	1000
AAVC/NR 500 T2 1,1kW	45	344	745	335	430	386	410	370	346	350	541	796	347	42	450
AAVC/NR 560 T2 1,5kW	50	401	835	375	482	438	460	418	391	392	606	891	393	48	500
AAVC/NR 630 T2 3kW	58	442	940	425	539	493	515	472	441	438	681	1001	443	53	560
AAVC/NR 630 T2 4kW	58	463	940	425	539	493	515	472	441	438	681	1001	443	53	560
AAVC/NR 710 T2 5,5kW	67	518	1045	475	605	547	570	522	493	489	764	1123	497	58	630
AAVC/NR 710 T2 7,5kW	67	518	1045	475	605	547	570	522	493	489	764	1123	497	58	630
AAVC/NR 800 T2 7,5kW	73	530	1170	530	678	622	640	592	554	545	854	1264	560	64	710
AAVC/NR 800 T2 11kW	73	635	1170	530	678	622	640	592	554	545	854	1264	560	64	710
AAVC/NR 900 T2 15kW	84	649	1315	600	759	696	715	668	628	617	961	1428	631	71	800
AAVC/NR 900 T2 18,5kW	84	649	1315	600	759	696	715	668	628	617	961	1428	631	71	800
AAVC/NR 1000 T2 30kW	90	856	1460	670	846	775	790	735	690	670	1074	1590	707	80	900
AAVC/NR 1000 T2 37kW	90	856	1460	670	846	775	790	735	690	670	1074	1590	707	80	900
AAVC/NR 1120 T2 45kW	103	918	1630	750	942	898	880	857	770	713	1196	1770	791	91	1000
AAVC/NR 1120 T2 55kW	103	1026	1630	750	942	898	880	857	770	713	1196	1770	791	91	1000

Dimensions AAVC (mm)																	
Type	H1	H2	I	L	M	N	O	O6	P	S	S1	S2	S3	S4	S5	S6	S7
AAVC/N 500 T2 1,5kW	450	450	133	58	246	55	234	206	260	410	346	350	335	541	430	386	370
AAVC/N 560 T2 2,2kW	500	500	133	58	246	55	234	231	260	460	391	392	375	606	482	438	418
AAVC/N 630 T2 4kW	560	560	197	49	276	30	289	256	324	515	441	438	425	681	539	493	472
AAVC/N 630 T2 5,5kW	560	560	237	59	336	40	337	256	372	515	441	438	425	681	539	493	472
AAVC/N 710 T2 7,5kW	630	630	237	59	336	40	337	289	372	570	493	489	475	764	605	547	522
AAVC/N 710 T2 11kW	630	630	337	49	436	50	395	289	440	570	493	489	475	764	605	547	522
AAVC/N 800 T2 11kW	710	710	337	49	436	50	395	324	440	640	554	545	530	854	678	622	592
AAVC/N 800 T2 15kW	710	710	337	49	436	50	395	324	440	640	554	545	530	854	678	622	592
AAVC/N 900 T2 18,5kW	800	800	337	49	436	50	395	361	440	715	628	617	600	961	759	696	668
AAVC/N 900 T2 22kW	800	800	357	33	460	70	434	361	488	715	628	617	600	961	759	696	668
AAVC/N 1000 T2 37kW	900	900	381	39	500	80	506	174	568	790	690	670	670	1074	846	775	735
AAVC/N 1000 T2 45kW	900	900	421	39	540	80	556	174	616	790	690	670	670	1074	846	775	735
AAVC/N 1120 T2 55kW	1000	1000	501	39	600	60	604	446	690	880	770	713	750	1196	942	898	857
AAVC/N 1120 T2 75kW	1000	1000	501	46	697	60	690	446	750	880	770	713	750	1196	942	898	857
AAVC/NR 500 T2 1,1kW	450	450	121	45	211	45	203	206	225	410	346	350	335	541	430	386	370
AAVC/NR 560 T2 1,5kW	500	500	133	58	246	55	234	231	260	460	391	392	375	606	482	438	418
AAVC/NR 630 T2 3kW	560	560	197	49	276	30	289	256	324	515	441	438	425	681	539	493	472
AAVC/NR 630 T2 4kW	560	560	197	49	276	30	289	256	324	515	441	438	425	681	539	493	472
AAVC/NR 710 T2 5,5kW	630	630	237	59	336	40	337	289	372	570	493	489	475	764	605	547	522
AAVC/NR 710 T2 7,5kW	630	630	237	59	336	40	337	289	372	570	493	489	475	764	605	547	522
AAVC/NR 800 T2 7,5kW	710	710	237	59	336	40	337	324	372	640	554	545	530	854	678	622	592
AAVC/NR 800 T2 11kW	710	710	337	49	436	50	395	324	440	640	554	545	530	854	678	622	592
AAVC/NR 900 T2 15kW	800	800	337	49	436	50	395	361	440	715	628	617	600	961	759	696	668
AAVC/NR 900 T2 18,5kW	800	800	337	49	436	50	395	361	440	715	628	617	600	961	759	696	668
AAVC/NR 1000 T2 30kW	900	900	381	39	500	80	506	174	568	790	690	670	670	1074	846	775	735
AAVC/NR 1000 T2 37kW	900	900	381	39	500	80	506	174	568	790	690	670	670	1074	846	775	735
AAVC/NR 1120 T2 45kW	1000	1000	421	39	540	80	556	446	616	880	770	713	750	1196	942	898	857
AAVC/NR 1120 T2 55kW	1000	1000	501	39	600	60	604	446	690	880	770	713	750	1196	942	898	857

Dimensions AAVC (mm)																	
Type	X	X1	X2	X3	X4	X5	X6	X7	a	a1	a2	b	b1	b2	d	d1	d2
AAVC/N 500 T2 1,5kW	335	335	541	430	386	410	370	350	105	139	165	76	110	136	145	182	215
AAVC/N 560 T2 2,2kW	391	375	606	482	438	460	418	392	117	151	177	85	119	145	165	200	235
AAVC/N 630 T2 4kW	441	425	681	539	493	515	472	438	131	165	191	95	129	155	185	219	250
AAVC/N 630 T2 5,5kW	441	425	681	539	493	515	472	438	131	165	191	95	129	155	185	219	250
AAVC/N 710 T2 7,5kW	493	475	764	605	547	570	522	489	146	182	216	105	139	175	205	241	275
AAVC/N 710 T2 11kW	493	475	764	605	547	570	522	489	146	182	216	105	139	175	205	241	275
AAVC/N 800 T2 11kW	554	530	854	678	622	640	592	545	166	200	236	117	151	187	228	265	298
AAVC/N 800 T2 15kW	554	530	854	678	622	640	592	545	166	200	236	117	151	187	228	265	298
AAVC/N 900 T2 18,5kW	628	600	961	759	696	715	668	617	185	219	255	131	165	201	255	292	325
AAVC/N 900 T2 22kW	628	600	961	759	696	715	668	617	185	219	255	131	165	201	255	292	325

Centrifugal High Pressure Direct Fans

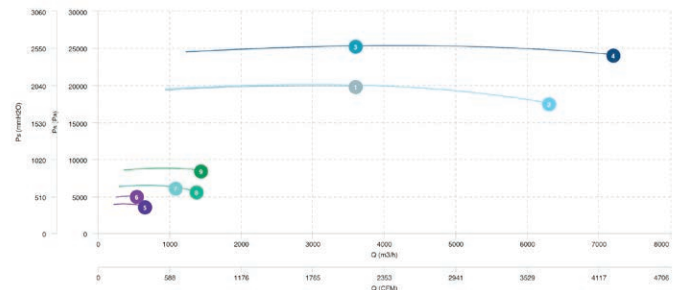
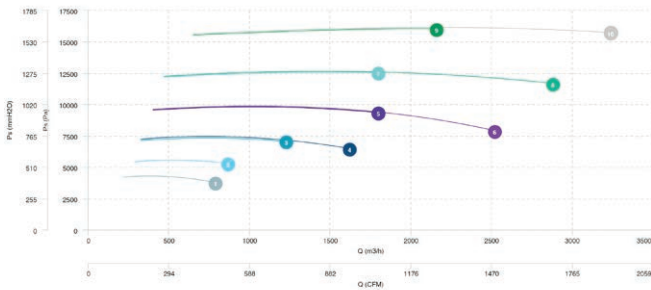


Dimensions AAVC (mm)

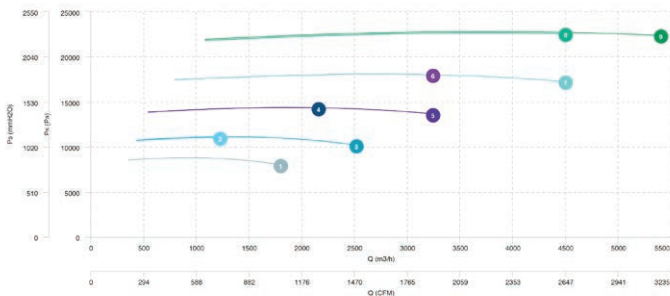
Type	X	X1	X2	X3	X4	X5	X6	X7	a	a1	a2	b	b1	b2	d	d1	d2
AAVC/N 1000 T2 37kW	690	670	1074	846	775	790	735	670	207	241	277	148	182	218	285	332	365
AAVC/N 1000 T2 45kW	690	670	1074	846	775	790	735	670	207	241	277	148	182	218	285	332	365
AAVC/N 1120 T2 55kW	770	750	1196	942	898	880	857	713	231	265	301	166	200	236	320	366	400
AAVC/N 1120 T2 75kW	770	750	1196	942	898	880	857	713	231	265	301	166	200	236	320	366	400
AAVC/NR 500 T2 1,1kW	346	335	541	430	386	410	370	350	105	139	165	76	110	136	145	182	215
AAVC/NR 560 T2 1,5kW	391	375	606	482	438	460	418	392	117	151	177	85	119	145	165	200	235
AAVC/NR 630 T2 3kW	441	425	681	539	493	515	472	438	131	165	191	95	129	155	185	219	250
AAVC/NR 630 T2 4kW	441	425	681	539	493	515	472	438	131	165	191	95	129	155	185	219	250
AAVC/NR 710 T2 5,5kW	493	475	764	605	547	570	522	489	146	182	216	105	139	175	205	241	275
AAVC/NR 710 T2 7,5kW	493	475	764	605	547	570	522	489	146	182	216	105	139	175	205	241	275
AAVC/NR 800 T2 7,5kW	554	530	854	678	622	640	592	545	166	200	236	117	151	187	228	265	298
AAVC/NR 800 T2 11kW	554	530	854	678	622	640	592	545	166	200	236	117	151	187	228	265	298
AAVC/NR 900 T2 15kW	628	600	961	759	696	715	668	617	185	219	255	131	165	201	255	292	325
AAVC/NR 900 T2 18,5kW	628	600	961	759	696	715	668	617	185	219	255	131	165	201	255	292	325
AAVC/NR 1000 T2 30kW	690	670	1074	846	775	790	735	670	207	241	277	148	182	218	285	332	365
AAVC/NR 1000 T2 37kW	690	670	1074	846	775	790	735	670	207	241	277	148	182	218	285	332	365
AAVC/NR 1120 T2 45kW	770	750	1196	942	898	880	857	713	231	265	301	166	200	236	320	366	400
AAVC/NR 1120 T2 55kW	770	750	1196	942	898	880	857	713	231	265	301	166	200	236	320	366	400

- 1 AAVC/N 500 T2 1,5kW
- 2 AAVC/N 560 T2 2,2kW
- 3 AAVC/N 630 T2 4kW
- 4 AAVC/N 630 T2 5,5kW
- 5 AAVC/N 710 T2 7,5kW
- 6 AAVC/N 710 T2 11kW
- 7 AAVC/N 800 T2 11kW
- 8 AAVC/N 800 T2 15kW
- 9 AAVC/N 900 T2 18,5kW
- 10 AAVC/N 900 T2 22kW

- 1 AAVC/N 1000 T2 37kW
- 2 AAVC/N 1000 T2 45kW
- 3 AAVC/N 1120 T2 55kW
- 4 AAVC/N 1120 T2 75kW
- 5 AAVC/NR 500 T2 1,1kW
- 6 AAVC/NR 560 T2 1,5kW
- 7 AAVC/NR 630 T2 3kW
- 8 AAVC/NR 630 T2 4kW
- 9 AAVC/NR 710 T2 5,5kW



- 1 AAVC/NR 710 T2 7,5kW
- 2 AAVC/NR 800 T2 7,5kW
- 3 AAVC/NR 800 T2 11kW
- 4 AAVC/NR 900 T2 15kW
- 5 AAVC/NR 900 T2 18,5kW
- 6 AAVC/NR 1000 T2 30kW
- 7 AAVC/NR 1000 T2 37kW
- 8 AAVC/NR 1120 T2 45kW
- 9 AAVC/NR 1120 T2 55kW



V.A.T. not included