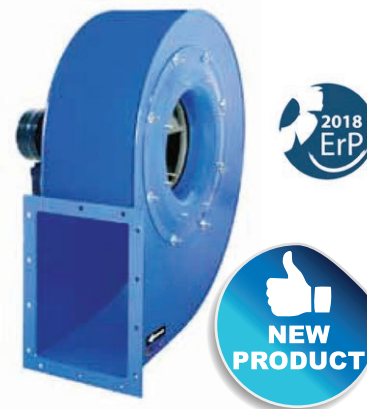


High Pressure Single Inlet Centrifugal Fans AAVM Series

- Rolling steel sheet housing.
- Fully welded housing.
- Epoxy powder finishing coat.
- High efficiency single inlet backward curved impeller, manufactured in rolling steel sheet and epoxy powder finishing coat.
- Standard asynchronous squirrel-cage motor with IP-55 protection and class F insulation. Manufactured with standard voltages: 230V 50Hz in single phase motors and 230/400V 50Hz in three phase motors up to 4kW, and 400/690V 50Hz for higher powers.



Under request:

60Hz fans and special voltages.
2 speed motors.
Spark-proof fans with Atex certified motor. Other Atex classifications: contact us.
Fans for air working temperatures up to 250°C.
Hot-dipped galvanised or stainless steel fans.

Designed for inline installation, they are suitable for Industrial applications, air extraction or injection.
Cooling of machines and parts.
Clean and slightly dusty air transport.
Exhaust after filters, separators and cyclones.
Pneumatic transport.
Maximum working temperature: carried air 130°C, environment: 60°C.

Technical Characteristics AAVM Series

Type	Power (kW)	RPM	Air Flow (m³/h)	Sound db (A)	Weight (Kg)	Price
AAVM/N 350 T2 1,1kW	1,1	2800	1.440	66	36,0	€ 1.531,00
AAVM/N 400 T2 2,2kW	2,20	2840	2.160	68	50,0	€ 1.898,00
AAVM/N 450 T2 4kW	4,00	2880	2.880	71	80,0	€ 2.627,00
AAVM/N 500 T2 5,5kW	5,50	2910	3.600	74	107,0	€ 3.207,00
AAVM/N 560 T2 11kW	11,00	2940	5.400	77	163,0	€ 5.142,00
AAVM/N 630 T2 18,5kW	18,50	2940	7.920	80	193,0	€ 6.471,00
AAVM/N 711 T2 30kW	30,00	2955	9.000	83	390,0	€ 9.878,00
AAVM/N 711 T2 37kW	37,00	2955	10.800	84	390,0	€ 10.357,00
AAVM/N 801 T2 55kW	55,00	2.960	12.600	85	664,0	€ 1.539,00
AAVM/N 801 T2 75kW	75,00	2.975	16.200	86	794,0	€ 17.249,00
AAVM/N 901 T2 90kW	90,00	2.975	18.000	88	969,0	€ 27.854,00
AAVM/N 901 T2 110kW	110,00	2.980	21.600	89	1109,0	€ 20.948,00
AAVM/N 1001 T2 160kW	160,00	2.980	21.600	92	1230,0	€ 33.420,00
AAVM/N 1001 T2 200kW	200,00	2.980	33.000	93	1230,0	€ 36.260,00
AAVM/NR 350 T2 0,75kW	0,75	2.800	940	66	35,0	€ 1.503,00
AAVM/NR 400 T2 1,5kW	1,50	2.865	1.620	68	46,0	€ 1.836,00
AAVM/NR 450 T2 3kW	3,00	2.880	2.520	70	60,0	€ 2.517,00
AAVM/NR 500 T2 4kW	4,00	2.880	3.240	73	92,0	€ 2.903,00
AAVM/NR 560 T2 7,5kW	7,50	2.910	4.680	76	122,0	€ 4.176,00
AAVM/NR 630 T2 15kW	15,00	2.935	7.200	80	175,0	€ 6.118,00
AAVM/NR 711 T2 22kW	22,00	2.940	9.000	82	300,0	€ 8.521,00
AAVM/NR 801 T2 45kW	45,00	2.960	14.400	84	526,0	€ 13.502,00
AAVM/NR 901 T2 75kW	75,00	2.975	18.000	87	926,0	€ 19.528,00
AAVM/NR 1001 T2 110kW	110,00	2.980	18.000	91	1220,0	€ 31.721,00
AAVM/NR 1001 T2 132kW	132,00	2.980	21.600	92	1220,0	€ 32.714,00

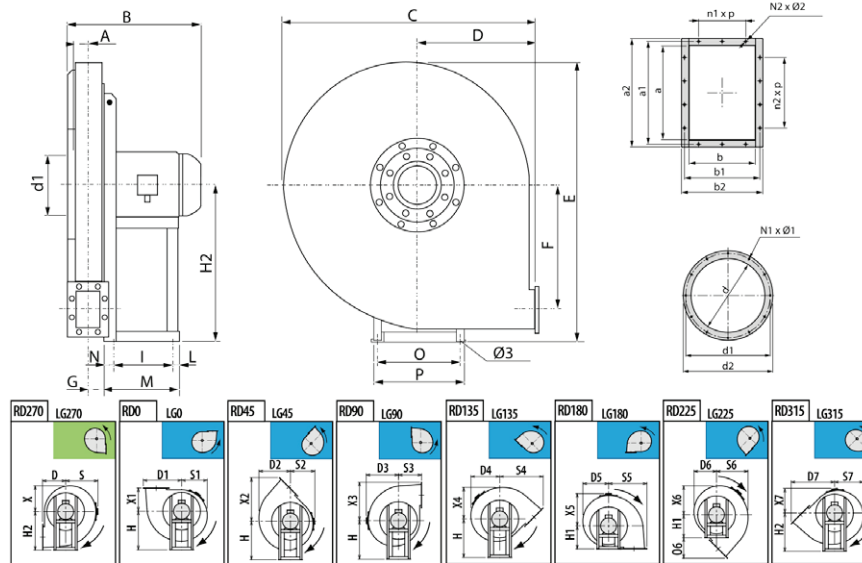
Technical Characteristics AAVM Series 1400 RPM

Type	Power (kW)	RPM	Air Flow (m³/h)	Sound db (A)	Weight (Kg)	Price
AAVM/N 712 T4 5,5kW	5,50	1.460	5.400	67	211,0	€ 6.221,00
AAVM/N 802 T4 11kW	11,00	1.455	7.920	69	286,0	€ 9.492,00
AAVM/N 902 T4 15kW	15,00	1.465	10.800	71	401,0	€ 11.956,00
AAVM/N 1002 T4 22kW	22,00	1.465	14.400	75	640,0	€ 16.538,00
AAVM/NR 712 T4 4kW	4,00	1.440	4.680	67	194,0	€ 5.935,00
AAVM/NR 802 T4 7,5kW	7,50	1.455	6.120	68	255,0	€ 8.719,00
AAVM/NR 902 T4 11kW	11,00	1.455	10.080	71	380,0	€ 11.647,00
AAVM/NR 1002 T4 18,5kW	18,50	1.470	12.600	74	620,0	€ 16.318,00

Dimensions AAVM 2800 RPM (mm)

Type	A	B	C	D	D1	D2	D3	D4	D5	D6	D7	E	F	G	H	H1	H2	I
AAVM/N 350 T2 1,1kW	65	377	565	250	323	287	315	280	262	272	405	617	215	56	355	250	355	121
AAVM/N 400 T2 2,2kW	71	437	620	280	356	314	340	302	284	293	450	659	238	63	375	280	375	133
AAVM/N 450 T2 4kW	78	503	675	300	393	350	375	335	313	319	490	713	265	70	400	300	400	197
AAVM/N 500 T2 5,5kW	86	560	745	335	436	386	410	370	345	350	546	795	297	78	450	335	450	237
AAVM/N 560 T2 11kW	95	684	835	375	488	438	460	418	393	392	613	893	337	88	500	375	500	337
AAVM/N 630 T2 18,5kW	105	703	940	425	545	493	515	472	440	438	688	1000	381	98	560	425	560	337
AAVM/N 711 T2 30kW	115	917	1045	475	610	547	570	522	493	489	767	1123	426	108	630	475	630	381
AAVM/N 711 T2 37kW	115	917	1045	475	610	547	570	522	493	489	767	1123	426	108	630	475	630	381
AAVM/N 801 T2 55kW	127	1092	1170	530	682	622	640	592	555	545	854	1265	481	121	710	530	710	501
AAVM/N 801 T2 75kW	127	1095	1170	530	682	622	640	592	555	545	854	1265	481	121	710	530	710	591
AAVM/N 901 T2 90kW	140	1122	1315	600	763	696	715	668	628	617	963	1428	542	134	800	600	800	591
AAVM/N 901 T2 110kW	140	1334	1315	600	763	696	715	668	628	617	963	1428	542	134	800	600	800	675
AAVM/N 1001 T2 160kW	160	1366	1460	670	849	805	790	765	691	640	1074	1591	607	150	900	670	900	675
AAVM/N 1001 T2 200kW	160	1366	1460	670	849	805	790	765	691	640	1074	1591	607	150	900	670	900	675
AAVM/NR 350 T2 0,75kW	65	377	565	250	323	287	315	280	262	272	405	617	215	56	355	250	355	121
AAVM/NR 400 T2 1,5kW	71	437	620	280	356	314	340	302	284	293	450	659	238	63	375	280	375	133
AAVM/NR 450 T2 3kW	78	482	675	300	393	350	375	335	313	319	490	713	265	70	400	300	400	197
AAVM/NR 500 T2 4kW	86	520	745	335	436	386	410	370	345	350	546	795	297	78	450	335	450	197
AAVM/NR 560 T2 7,5kW	95	579	835	375	488	438	460	418	393	392	613	893	337	88	500	375	500	237
AAVM/NR 630 T2 15kW	105	703	940	425	545	493	515	472	440	438	688	1000	381	98	560	425	560	337
AAVM/NR 711 T2 22kW	115	809	1045	475	610	547	570	522	493	489	767	1123	426	108	630	475	630	357
AAVM/NR 801 T2 45kW	127	984	1170	530	682	622	640	592	555	545	854	1265	481	121	710	530	710	421
AAVM/NR 901 T2 75kW	140	1122	1315	600	763	696	715	668	628	617	963	1428	542	134	800	600	800	591
AAVM/NR 1001 T2 110kW	160	1366	1460	670	849	805	790	765	691	640	1074	1591	607	150	900	670	900	675
AAVM/NR 1001 T2 132kW	160	1366	1460	670	849	805	790	765	691	640	1074	1591	607	150	900	670	900	675

Centrifugal High Pressure Direct Fans



Dimensions AAVM 2800 RPM (mm)

Type	L	M	N	N1xØ1	N2xØ2	O	Ø6	P	S	S1	S2	S3	S4	S5	S6	S7	X	X1
AAVM/N 350 T2 1,1kW	45	211	45	8x8	6x12	203	155	225	315	262	272	250	405	323	287	280	262	250
AAVM/N 400 T2 2,2kW	58	246	55	8x8	6x12	234	170	260	340	284	293	280	450	356	314	302	284	280
AAVM/N 450 T2 4kW	49	276	30	8x8	6x12	289	190	324	375	313	319	300	490	393	350	335	313	300
AAVM/N 500 T2 5,5kW	59	336	40	8x10	8x12	337	211	372	410	345	350	335	546	436	386	370	345	335
AAVM/N 560 T2 11kW	49	436	50	8x12	8x12	395	238	440	460	393	392	375	613	488	438	418	393	375
AAVM/N 630 T2 18,5kW	49	436	50	8x12	10x12	395	263	440	515	440	438	425	688	545	493	472	440	425
AAVM/N 711 T2 30kW	39	500	80	8x12	10x12	506	292	568	570	493	489	475	767	610	547	522	493	475
AAVM/N 711 T2 37kW	39	500	80	8x12	10x12	506	292	568	570	493	489	475	767	610	547	522	493	475
AAVM/N 801 T2 55kW	39	600	60	12x12	10x12	604	324	690	640	555	545	530	854	682	622	592	555	530
AAVM/N 801 T2 75kW	46	697	60	12x12	10x12	690	324	750	640	555	545	530	854	682	622	592	555	530
AAVM/N 901 T2 90kW	46	697	60	12x12	10x12	690	363	750	715	628	617	600	963	763	696	668	628	600
AAVM/N 901 T2 110kW	45	800	80	12x12	10x12	760	363	865	715	628	617	600	963	763	696	668	628	600
AAVM/N 1001 T2 160kW	45	800	80	12x14	14x12	760	404	865	790	691	640	670	1074	849	805	765	691	670
AAVM/N 1001 T2 200kW	45	800	80	12x14	14x12	760	404	865	790	691	640	670	1074	849	805	765	691	670
AAVM/NR 350 T2 0,75kW	45	211	45	8x8	6x12	203	155	225	315	262	272	250	405	323	287	280	262	250
AAVM/NR 400 T2 1,5kW	58	246	55	8x8	6x12	234	170	260	340	284	293	280	450	356	314	302	284	280
AAVM/NR 450 T2 3kW	49	276	30	8x8	6x12	289	190	324	375	313	319	300	490	393	350	335	313	300
AAVM/NR 500 T2 4kW	49	276	30	8x10	8x12	289	211	324	410	345	350	335	546	436	386	370	345	335
AAVM/NR 560 T2 7,5kW	59	336	40	8x12	8x12	337	238	372	460	393	392	375	613	488	438	418	393	375
AAVM/NR 630 T2 15kW	49	436	50	8x12	10x12	395	263	440	515	440	438	425	688	545	493	472	440	425
AAVM/NR 711 T2 22kW	33	460	70	8x12	10x12	434	292	488	570	493	489	475	767	610	547	522	493	475
AAVM/NR 801 T2 45kW	39	540	80	12x12	10x12	556	324	616	640	555	545	530	854	682	622	592	555	530
AAVM/NR 901 T2 75kW	46	697	60	12x12	10x12	690	363	750	715	628	617	600	963	763	696	668	628	600
AAVM/NR 1001 T2 110kW	45	800	80	12x14	14x12	760	404	865	790	691	640	670	1074	849	805	765	691	670
AAVM/NR 1001 T2 132kW	45	800	80	12x14	14x12	760	404	865	790	691	640	670	1074	849	805	765	691	670

Dimensions AAVM 2800 RPM (mm)

Type	X2	X3	X4	X5	X6	X7	a	a1	a2	b	b1	b2	d	d1	d2	n1xp	n2xp	Φ3
AAVM/N 350 T2 1,1kW	405	323	287	315	280	272	146	182	216	105	139	175	185	219	250	-	1x112	10
AAVM/N 400 T2 2,2kW	450	356	314	340	302	293	166	200	236	117	151	187	205	241	275	-	1x112	10
AAVM/N 450 T2 4kW	490	393	350	375	335	319	185	219	255	131	165	201	228	265	298	-	1x112	12
AAVM/N 500 T2 5,5kW	546	436	386	410	370	350	207	241	277	148	182	218	255	292	325	1x112	1x112	12
AAVM/N 560 T2 11kW	613	488	438	460	418	392	231	265	301	166	200	236	285	332	365	1x112	1x112	14
AAVM/N 630 T2 18,5kW	688	545	493	515	472	438	258	292	328	185	219	255	320	366	400	1x112	1x112	14
AAVM/N 711 T2 30kW	767	610	547	570	522	489	288	332	368	205	249	285	360	405	440	1x125	2x125	19
AAVM/N 711 T2 37kW	767	610	547	570	522	489	288	332	368	205	249	285	360	405	440	1x125	2x125	19
AAVM/N 801 T2 55kW	854	682	622	640	592	545	322	366	402	229	273	309	405	448	485	1x125	2x125	19
AAVM/N 801 T2 75kW	854	682	622	640	592	545	322	366	402	229	273	309	405	448	485	1x125	2x125	21
AAVM/N 901 T2 90kW	963	763	696	715	668	617	361	405	441	256	300	336	455	497	535	1x125	2x125	21
AAVM/N 901 T2 110kW	963	763	696	715	668	617	361	405	441	256	300	336	455	497	535	1x125	2x125	24
AAVM/N 1001 T2 160kW	1074	849	805	790	765	640	404	448	484	288	332	368	505	551	585	2x125	3x125	24
AAVM/N 1001 T2 200kW	1074	849	805	790	765	640	404	448	484	288	332	368	505	551	585	2x125	3x125	24
AAVM/NR 350 T2 0,75kW	405	323	287	315	280	272	146	182	216	105	139	175	185	219	250	-	1x112	10
AAVM/NR 400 T2 1,5kW	450	356	314	340	302	293	166	200	236	117	151	187	205	241	275	-	1x112	10
AAVM/NR 450 T2 3kW	490	393	350	375	335	319	185	219	255	131	165	201	228	265	298	-	1x112	12
AAVM/NR 500 T2 4kW	546	436	386	410	370	350	207	241	277	148	182	218	255	292	325	1x112	1x112	12
AAVM/NR 560 T2 7,5kW	613	488	438	460	418	392	231	265	301	166	200	236	285	332	365	1x112	1x112	12
AAVM/NR 630 T2 15kW	688	545	493	515	472	438	258	292	328	185	219	255	320	366	400	1x112	2x112	14
AAVM/NR 711 T2 22kW	767	610	547	570	522	489	288	332	368	205	249	285	360	405	440	1x125	2x125	17
AAVM/NR 801 T2 45kW	854	682	622	640	592	545	322	366	402	229	273	309	405	448	485	1x125	2x125	19
AAVM/NR 901 T2 75kW	963	763	696	715	668	617	361	405	441	256	300	336	455	497	535	1x125	2x125	21
AAVM/NR 1001 T2 110kW	1074	849	805	790	765	640	404	448	484	288	332	368	505	551	585	2x125	3x125	24
AAVM/NR 1001 T2 132kW	1074	849	805	790	765	640	404	448	484	288	332	368	505	551	585	2x125	3x125	24

Dimensions AAVM 1400 RPM (mm)

Type	A	B	C	D	D1	D2	D3	D4	D5	D6	D7	E	F	G	H	H1	H2	I
AAVM/N 712 T4 5,5kW	115	623	1045	475	610	547	570	522	493	489	767	1123	426	108	630	475	630	237
AAVM/N 802 T4 11kW	127	753	1170	530	682	622	640	592	555	545	854	1265	481	121	710	530	710	337
AAVM/N 902 T4 15kW	140	780	1315	600	763	696	715	668	628	617	963	1428	542	134	800	600	800	337
AAVM/N 1002 T4 22kW	160	944	1460	670	849	805	790	765	691	640	1074	1591	607	150	900	670	900	357
AAVM/NR 712 T4 4kW	115	583	1045	475	610	547	570	522	493	489	767	1123	426	108	630	475	630	197
AAVM/NR 802 T4 7,5kW	127	648	1170	530	682	622	640	592	555	545	854	1265	481	121	710	530	710	237
AAVM/NR 902 T4 11kW	140	780	1315	600	763	696	715	668	628	617	963	1428	542	134	800	600	800	337
AAVM/NR 1002 T4 18,5kW	160	893	1460	670	849	805	790	765	691	640	1074	1591	607	150	900	670	900	357

Centrifugal High Pressure Direct Fans



Dimensions AAVM 1400 RPM (mm)

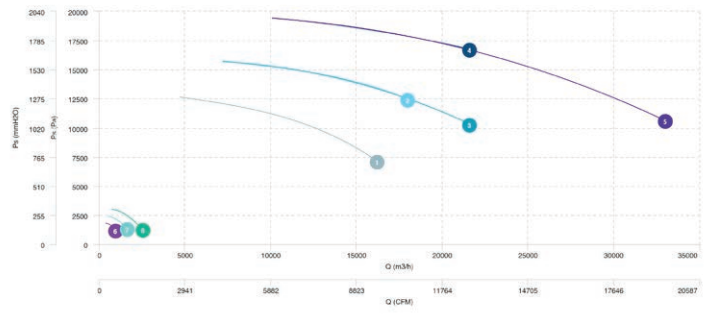
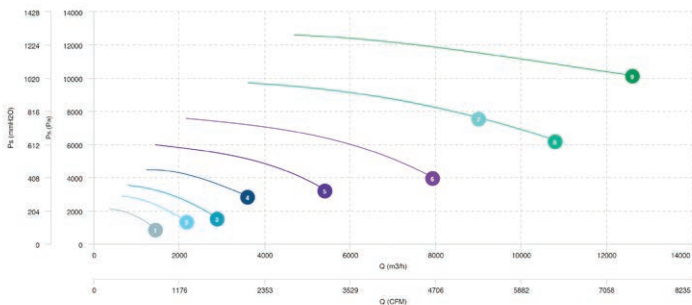
Type	L	M	N	N1x01	N2x02	O	Φ6	P	S	S1	S2	S3	S4	S5	S6	S7	X	X1
AAVM/N 712 T4 5,5kW	59	336	40	8x12	10x12	337	292	372	570	493	489	475	767	610	547	522	493	475
AAVM/N 802 T4 11kW	49	436	50	12x12	10x12	395	324	440	640	555	545	530	854	682	622	592	555	530
AAVM/N 902 T4 15kW	49	436	50	12x12	10x12	395	363	440	715	628	617	600	963	763	696	668	628	600
AAVM/N 1002 T4 22kW	45	800	80	12x14	14x12	760	404	865	790	691	640	670	1074	849	805	765	691	670
AAVM/NR 712 T4 4kW	49	276	30	8x12	10x12	289	292	324	570	493	489	475	767	610	547	522	493	475
AAVM/NR 802 T4 7,5kW	59	336	40	12x12	10x12	337	324	372	640	555	545	530	854	682	622	592	555	530
AAVM/NR 902 T4 11kW	49	436	50	12x12	10x12	395	363	440	715	628	617	600	963	763	696	668	628	600
AAVM/NR 1002 T4 18,5kW	33	460	70	12x14	14x12	434	404	488	790	691	640	670	1074	849	805	765	691	670

Dimensions AAVM 1400 RPM (mm)

Type	X2	X3	X4	X5	X6	X7	a	a1	a2	b	b1	b2	d	d1	d2	n1xp	n2xp	Φ3
AAVM/N 712 T4 5,5kW	767	610	547	570	522	489	288	332	368	205	249	285	360	405	440	1x125	2x125	12
AAVM/N 802 T4 11kW	854	682	622	640	592	545	322	366	402	229	273	309	405	448	485	1x125	2x125	14
AAVM/N 902 T4 15kW	963	763	696	715	668	617	361	405	441	256	300	336	455	497	535	1x125	2x125	14
AAVM/N 1002 T4 22kW	1074	849	805	790	765	640	404	448	484	288	332	368	505	551	585	2x125	3x125	17
AAVM/NR 712 T4 4kW	767	610	547	570	522	489	288	332	368	205	249	285	360	405	440	1x125	2x125	12
AAVM/NR 802 T4 7,5kW	854	682	622	640	592	545	322	366	402	229	273	309	405	448	485	1x125	2x125	12
AAVM/NR 902 T4 11kW	963	763	696	715	668	617	361	405	441	256	300	336	455	497	535	1x125	2x125	14
AAVM/NR 1002 T4 18,5kW	1074	849	805	790	765	640	404	448	484	288	332	368	505	551	585	2x125	3x125	17

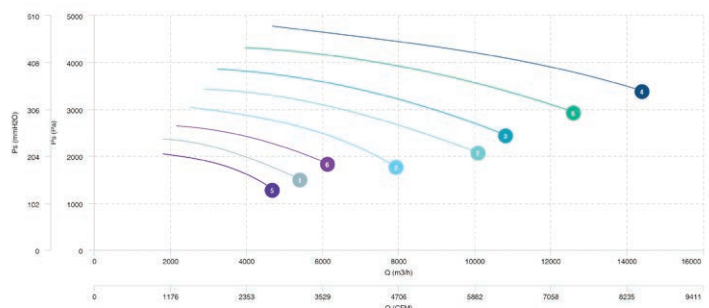
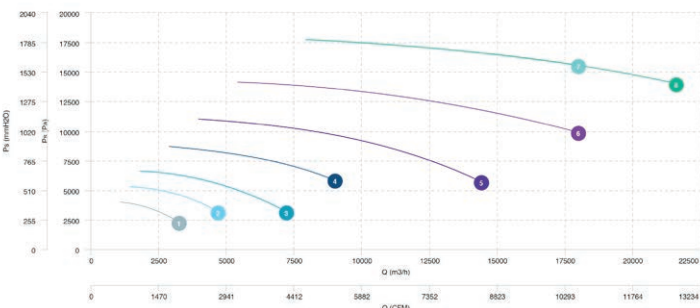
- 1 AAVM/N 350 T2 1,1kW
- 2 AAVM/N 400 T2 2,2kW
- 3 AAVM/N 450 T2 4kW
- 4 AAVM/N 500 T2 5,5kW
- 5 AAVM/N 560 T2 11kW
- 6 AAVM/N 630 T2 18,5kW
- 7 AAVM/N 711 T2 30kW
- 8 AAVM/N 711 T2 37kW
- 9 AAVM/N 801 T2 55kW

- 1 AAVM/N 801 T2 75kW
- 2 AAVM/N 901 T2 90kW
- 3 AAVM/N 901 T2 110kW
- 4 AAVM/N 1001 T2 160kW
- 5 AAVM/N 1001 T2 200kW
- 6 AAVM/NR 350 T2 0,75kW
- 7 AAVM/NR 400 T2 1,5kW
- 8 AAVM/NR 450 T2 3kW



- 1 AAVM/NR 500 T2 4kW
- 2 AAVM/NR 560 T2 7,5kW
- 3 AAVM/NR 630 T2 15kW
- 4 AAVM/NR 711 T2 22kW
- 5 AAVM/NR 801 T2 45kW
- 6 AAVM/NR 901 T2 75kW
- 7 AAVM/NR 1001 T2 110kW
- 8 AAVM/NR 1001 T2 132kW

- 1 AAVM/N 712 T4 5,5kW
- 2 AAVM/N 802 T4 11kW
- 3 AAVM/N 902 T4 15kW
- 4 AAVM/N 1002 T4 22kW
- 5 AAVM/NR 712 T4 4kW
- 6 AAVM/NR 802 T4 7,5kW
- 7 AAVM/NR 902 T4 11kW
- 8 AAVM/NR 1002 T4 18,5kW



V.A.T. not included