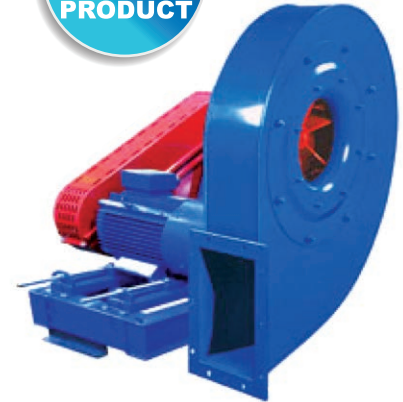


Centrifugal High Pressure Belt Driven Fans AATZA Series

- Fan made of Fe360 sheet. The fan paint finish is based on a Qualicoat polyester powder coating stoved at 200°C, with an average film thickness of 70 microns. Average heat resistance of coating is 180°C with peaks of 200°C.
- Fully welded housing.
- High efficiency simple inlet straight blade impeller made of Fe360 sheet statically and dynamically balanced.
- Impellers are painted with epoxy primer that resists temperatures up to 300°C.
- Motorized fan with basement (sist 12). Full equipped fans including: motor, pulleys, belts, belts guard and shaft guard. Fitted over a base plate.
- Standard orientation LG270.



Under request:

60Hz fans and special voltages.

2 speed motors.

Fan with free shaft (configuration 1) or with motor supported on the pedestal side (configuration 9).

Flameproof or explosionproof fans with ATEX certificated motors.

Fan for air working temperatures up to 350°C with R/R (cooling impeller).

Hot dip galvanised or stainless steel fans.

Designed for inline installation, they are suitable for Industrial applications, extraction or injection of air.

Cooling of machines and parts.

Exhaust after filters, separators and cyclones.

Pneumatic transport.

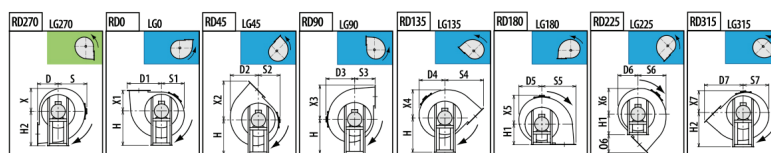
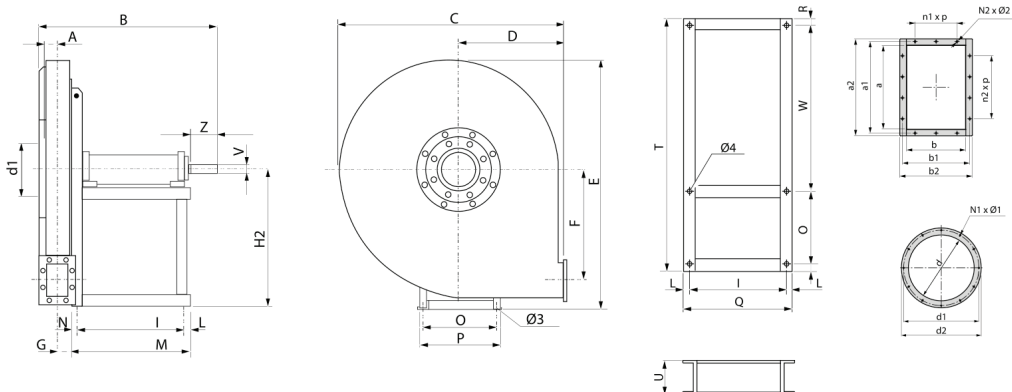
Slightly dusty air transport.

Maximum working temperature: carried air: 200°C, ambient: 60°C.

Technical Characteristics AATZA Series

Type	Power (kW)	RPM max.	Air Flow (m³/h) max.	Sound db (A) (sist.1)	Weight (Kg) (sist.1)	Price* (sist.1)
AATZA 400 (sist.1)	4,00	2350 - 3500	630	53	37,0	€ 2.976,00
AATZA 450 (sist.1)	5,50	2150 - 3500	830	57	48,0	€ 3.164,00
AATZA 500 (sist.1)	5,50	1900 - 3500	1.120	62	68,0	€ 3.735,00
AATZA 560 (sist.1)	7,50	1700 - 3500	1.560	67	91,0	€ 4.614,00
AATZA 630 (sist.1)	9,00	1500 - 3300	1.100	66	118,0	€ 5.314,00
AATZA 710 (sist.1)	11,00	1350 - 2900	2.510	68	179,0	€ 6.498,00
AATZA 800 (sist.1)	15,00	1200 - 2600	3.760	66	217,0	€ 8.071,00
AATZA 900 (sist.1)	18,50	1050 - 2300	4.790	68	280,0	€ 10.979,00
AATZA 1000 (sist.1)	22,00	950 - 2100	5.780	69	365,0	€ 16.077,00

*The fan is supplied with free axle (sist.1), that is: without motor, pulleys or belts or with motor and transmission set (sist.9 and 12).



Dimensions AATZA (mm)

Type	A	B	C	D	D1	D2	D3	D4	D5	D6	D7	E	F	G	H	H1
AATZA 400	42	514	620	280	351	314	340	302	282	293	445	657	273	38	375	375
AATZA 450	46	522	675	300	388	350	375	335	313	319	486	713	305	42	400	400
AATZA 500	52	677	745	335	431	386	410	370	345	350	541	795	342	47	450	450
AATZA 560	59	688	835	375	483	438	460	418	391	392	606	891	387	53	500	500
AATZA 630	65	723	940	425	544	493	515	472	441	438	688	1001	436	58	560	560

Dimensions AATZA (mm)

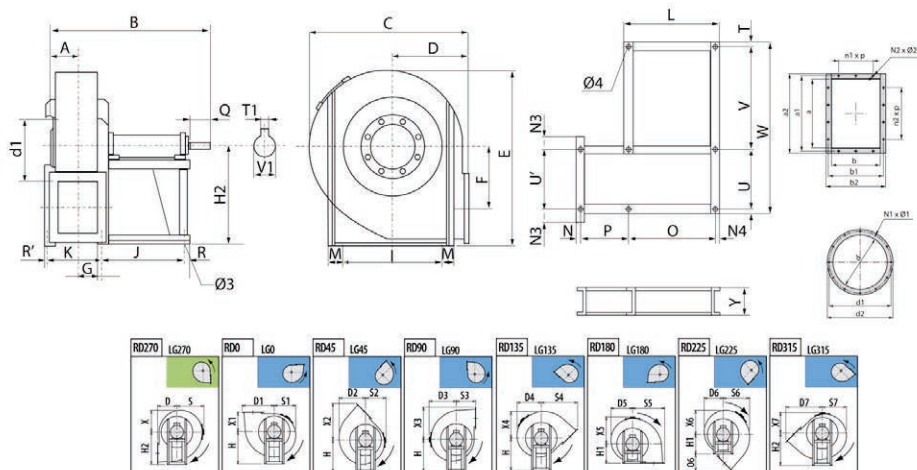
Type	H2	I	L	M	N	N1x01	N2x02	O	Ø6	P	Q	R	S	S1	S2	S3
AATZA 400	375	284	23	347	40	4x4	4x10	288	165	324	330	18	340	282	293	280
AATZA 450	400	284	23	347	40	8x8	4x10	288	186	324	330	18	375	313	319	300
AATZA 500	450	407	28	485	50	8x8	4x10	355	206	400	463	23	410	345	350	335
AATZA 560	500	407	28	485	50	8x8	6x10	355	231	400	463	23	460	391	392	375
AATZA 630	560	407	28	485	50	8x8	6x12	355	263	400	463	23	515	441	438	425

Dimensions AATZA (mm)

Type	S4	S5	S6	S7	T	U	V	W	X	X1	X2	X3	X4	X5	X6	X7
AATZA 400	445	351	314	302	900	100	24	576	282	280	445	351	314	340	302	293
AATZA 450	486	388	350	335	900	100	24	576	313	300	486	388	350	375	335	319
AATZA 500	541	431	386	370	1060	120	28	660	345	335	541	431	386	410	370	350
AATZA 560	606	483	438	418	1180	120	28	780	391	375	606	483	438	460	418	392
AATZA 630	688	544	493	472	1180	120	38	780	441	425	688	544	493	515	472	438

Dimensions AATZA (mm)

Type	Z	a	a1	a2	b	b1	b2	d	d1	d2	n2xp	Ø3	Ø4
AATZA 400	50	95	129	155	68	102	128	130	165	190	-	14	14
AATZA 450	50	105	139	165	76	110	136	145	182	215	-	12	14
AATZA 500	60	117	151	177	85	119	145	165	200	235	-	14	14
AATZA 560	60	131	165	191	95	129	155	185	219	250	1x100	14	14
AATZA 630	80	146	182	216	105	139	175	205	241	275	1x112	14	14



Centrifugal High Pressure Belt Driven Fans



Dimensions AATZA (mm)

Type	A	B	C	D	D1	D2	D3	D4	D5	D6	D7	E	F	G	H	H1
AATZA 710	70	835	1045	475	606	547	570	522	492	489	764	1122	488	101,5	630	630
AATZA 800	78	850	1170	530	679	622	640	592	554	545	854	1264	551	108,5	710	710
AATZA 900	86	870	1315	600	759	696	715	668	628	617	961	1428	620	120,5	800	800
AATZA 1000	95	975	1460	670	841	775	790	735	691	670	1072	1591	690	139,5	900	900

Dimensions AATZA (mm)

Type	H2	I	J	K	L	M	N	N1x01	N2x02	N3	N4	O	Ø6	P	Q	R
AATZA 710	630	485	477	203	543	23	20	8x8	6x12	55	33	477	289	203	110	33
AATZA 800	710	485	477	217	543	23	20	8x10	6x12	60	33	477	324	217	110	33
AATZA 900	800	485	477	241	543	23	25	8x12	8x12	70	33	477	361	241	110	33
AATZA 1000	900	762	551	279	629	32	35	8x12	8x12	150	39	551	172	279	110	39

Dimensions AATZA (mm)

Type	R'	S	S1	S2	S3	S4	S5	S6	S7	T	T1	U	U'	V	V1	W
AATZA 710	20	570	492	489	475	764	606	547	522	23	12	485	410	720	42	1250
AATZA 800	20	640	554	545	530	854	679	622	592	23	12	485	420	970	42	1500
AATZA 900	25	715	628	617	600	961	759	696	668	23	14	485	485	970	48	1500
AATZA 1000	35	790	691	670	670	1072	841	775	735	32	14	762	526	974	48	1800

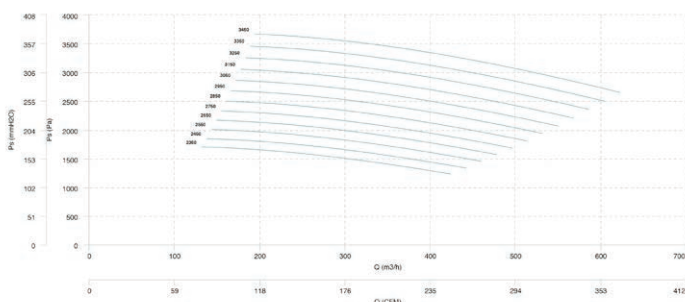
Dimensions AATZA (mm)

Type	X	X1	X2	X3	X4	X5	X6	X7	Y	a	a1	a2
AATZA 710	492	475	764	606	547	570	522	489	160	166	200	236
AATZA 800	554	530	854	679	622	640	592	545	160	185	219	255
AATZA 900	628	600	961	759	696	715	668	617	160	207	241	277
AATZA 1000	691	670	1072	841	775	790	735	670	180	231	265	301

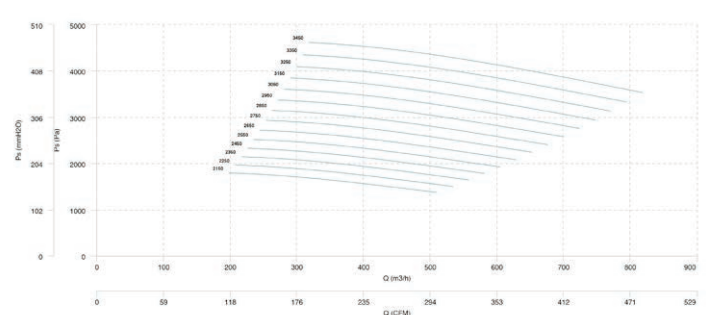
Dimensions AATZA (mm)

Type	b	b1	b2	d	d1	d2	n1xp	n2xp	Ø3	Ø4
AATZA 710	117	151	187	228	265	298	-	1x112	19	19
AATZA 800	131	165	201	255	292	325	-	1x112	19	19
AATZA 900	148	182	218	285	332	365	1x112	1x112	19	19
AATZA 1000	166	200	236	320	366	400	1x112	1x112	24	20

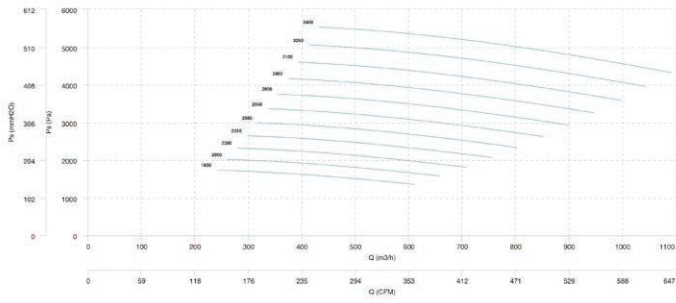
AATZA 400



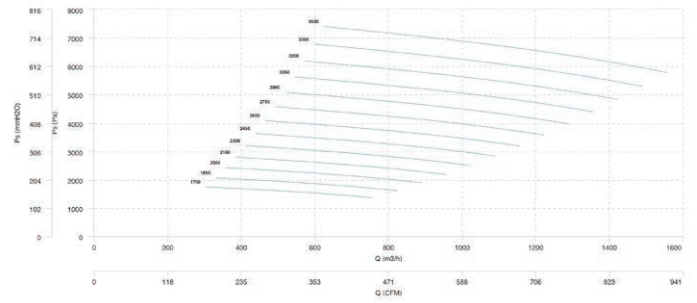
AATZA 450



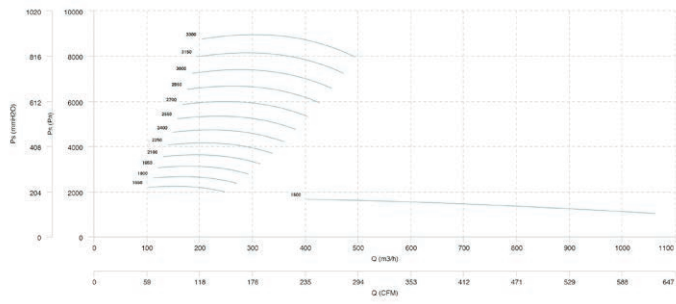
AATZA 500



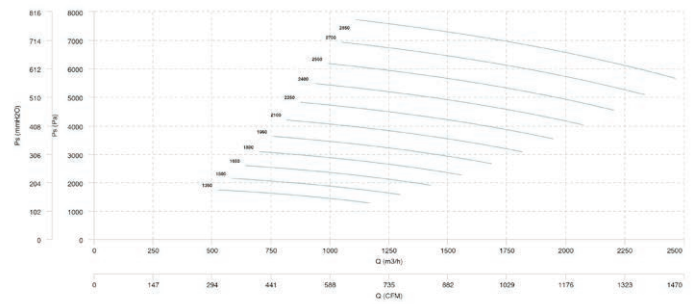
AATZA 560



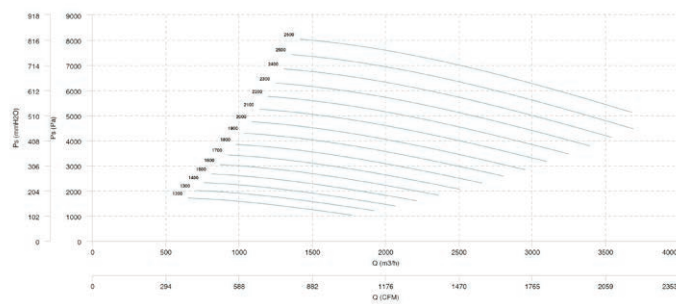
AATZA 630



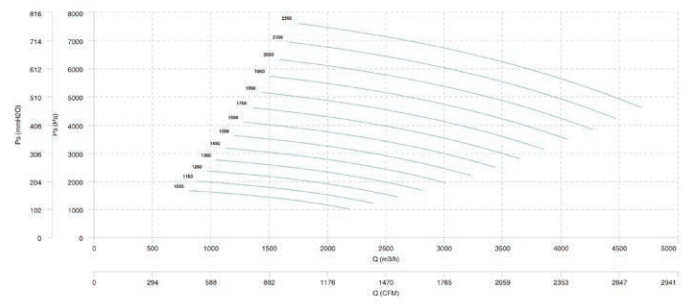
AATZA 710



AATZA 800



AATZA 900



AATZA 1000

