

## Single Inlet Centrifugal Fans With Forward Curved Impeller Blades - Belt Driven Series ASH

- Without integrated motor.
- V-belt and pulley transmission drive.
- Dynamically balanced impeller with forward curved blades (SIROCO type).
- Suitable for industrial and commercial applications.
- Robust construction, contained in an “L” shaped metal support frame.
- Optional operation with or without Fan Section.
- Performance curves available for all types.
- Volume up to **78.000 m<sup>3</sup>/h**.
- Pressure up to **2.400 Pa**.



Series ASH					
Type	Power max kW	max RPM	Weight Kg	Working Temperature °C	Price
ASH 200 R	3,0	3.800	7,5	- 20°C / + 85°C	€ 339,00
ASH 225 R	3,0	3.400	8,5	- 20°C / + 85°C	€ 360,00
ASH 250 R	4,0	3.000	12,0	- 20°C / + 85°C	€ 382,00
ASH 280 R	5,5	2.700	15,0	- 20°C / + 85°C	€ 419,00
ASH 315 R	5,5	2.400	17,5	- 20°C / + 85°C	€ 466,00
ASH 355 R	7,5	2.100	22,0	- 20°C / + 85°C	€ 546,00
ASH 400 R	7,5	1.900	29,0	- 20°C / + 85°C	€ 647,00
ASH 450 R	11,0	1.600	37,5	- 20°C / + 85°C	€ 778,00
ASH 500 R	11,0	1.300	47,0	- 20°C / + 85°C	€ 901,00
ASH 560 R	15,0	1.200	60,0	- 20°C / + 85°C	€ 1.203,00
ASH 630 R	15,0	1.100	75,5	- 20°C / + 85°C	€ 1.367,00
ASH 710 K	18,5	900	161,0	- 20°C / + 100°C	€ 2.168,00
ASH 800 K	22,0	800	202,0	- 20°C / + 100°C	€ 2.645,00
ASH 900 K	30,0	700	245,0	- 20°C / + 100°C	€ 3.175,00
ASH 1000 K	37,0	650	276,0	- 20°C / + 100°C	€ 3.567,00



### Accessories



Belts & Pulleys for Belt Driven Fans



230V Input Voltage Inverter



400V Input Voltage Inverter



Electric motors

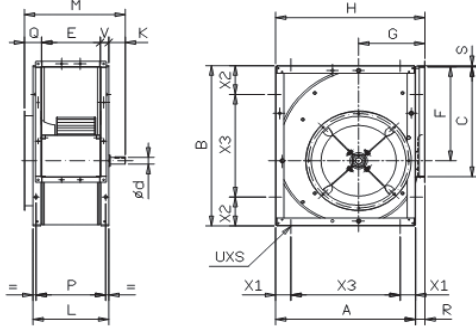


Sound Barriers For Rectangular Duct Systems

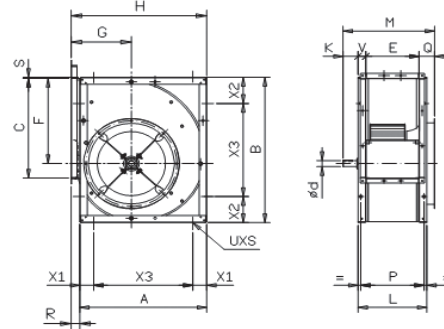


Electric Motor Mounting Bases For Belt Driven Fans

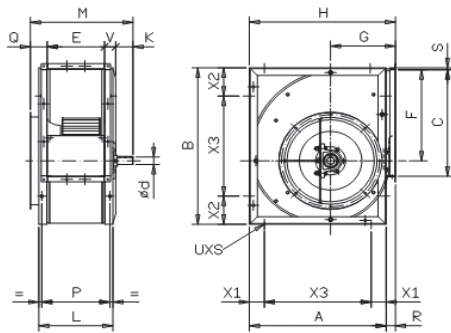
### ASH R - LG



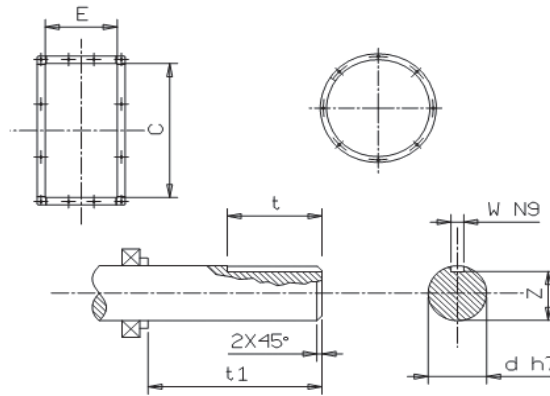
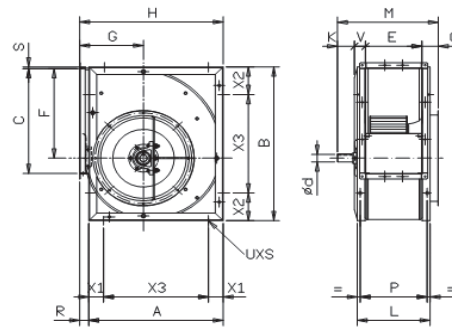
### ASH R - RD



### ASH K - LG



### ASH K - RD



#### Dimensions Series ASH

Type	A (mm)	B (mm)	C (mm)	E (mm)	F (mm)	G (mm)	H (mm)	L (mm)	M (mm)	P (mm)	Q (mm)	R (mm)	S (mm)	V (mm)	K (mm)	X1 (mm)	X2 (mm)	X3 (mm)	t (mm)	t1 (mm)	w (mm)	z (mm)	d (mm)	usx (mm)
ASH 200 R	306	370	257	131	215	164	343	181	295	161	80	37	4	25	59	41	73	224	30	54	6	16,5	20	11x16
ASH 225 R	345	415	287	146	242	180	382	196	310	176	80	37	4	25	59	61	96	224	30	54	6	16,5	20	11x16
ASH 250 R	381	461	321	164	269	195	419	214	328	194	80	38	4	25	59	79	119	224	30	53	6	16,5	20	11x16
ASH 280 R	429	518	360	183	302	215	466	243	357	213	80	37	5	30	64	74,5	119	280	40	57	8	21	25	13x18
ASH 315 R	480	578	403	205	339	236	518	265	379	235	80	38	4	30	64	100	149	280	40	56	8	21	25	13x18
ASH 355 R	544	655	451	229	383	261	578	309	421	269	80	34	7	40	72	95,4	150	355	40	75	8	26	30	13x18
ASH 400 R	609	736	505	256	431	290	649	336	448	296	80	40	5	40	72	127	191	355	40	69	8	26	30	13x18
ASH 450 R	679	827	567	288	485	322	725	368	488	338	80	46	6	40	80	74,5	149	530	50	74	10	30	35	13x18
ASH 500 R	748	918	636	322	538	352	799	402	522	372	80	51	6	40	80	109	194	530	50	72	10	30	35	13x18
ASH 560 R	841	1030	713	361	603	390	891	461	579	411	80	50	8	50	88	155,5	250	530	70	89	12	35	40	13x18
ASH 630 R	940	1157	802	404	679	434	996	504	622	454	80	56	7	50	88	205	314	530	70	89	12	35	40	13x18
ASH 710 K	1050	1303	899	453	765	485	1121	553	749	503	122	71	7	50	124	210	337	630	90	106	14	44,5	50	17x22
ASH 800 K	1181	1468	1008	507	862	540	1255	607	803	557	122	74	8	50	124	236	379	710	90	106	14	44,5	50	17x22
ASH 900 K	1319	1648	1131	569	970	604	1408	669	872	619	122	89	8	50	131	260	424	800	90	106	18	53	60	17x22
ASH 1000 K	1451	1810	1267	638	1065	657	1541	738	940,5	688	121,5	90	10	50	131	276	455	900	90	106	18	53	60	17x22