



## Axial Fans HJEM Series

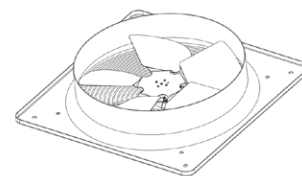
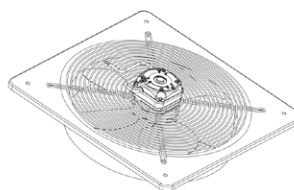
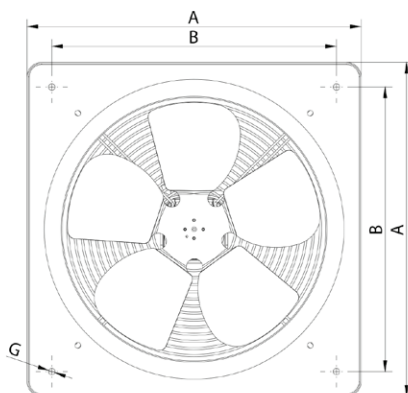
- Square plate made of galvanized steel sheet.
- Aluminium sheet impeller.
- Supplied with motor support and protection guard according to the UNE-EN 294 standard.
- Shaded-pole asynchronous motor, rated Class F isolation and IP-42.

### Applications:

Designed for wall assembly, they are suitable for:  
Air renewal in all kind of closed environments.  
Maximum working temperature: 50°C.

| Technical Characteristics HJEM Series 230V |            |       |                 |              |             |          |
|--|------------|-------|-----------------|--------------|-------------|----------|
| Type                                       | Power (kW) | RPM   | Air Flow (m³/h) | Sound db (A) | Weight (Kg) | Price    |
| HJEM 20 M4                                 | 0,03       | 1.320 | 500             | 24           | 1,5         | € 162,00 |
| HJEM 25 M4                                 | 0,05       | 1.370 | 760             | 30           | 2,5         | € 187,00 |
| HJEM 30 M4                                 | 0,08       | 1.260 | 1.220           | 36           | 3,5         | € 227,00 |
| HJEM 35 M4                                 | 0,08       | 1.320 | 1.690           | 42           | 4           | € 272,00 |

| Dimensions Series HJEM (mm) |     |     |     |    |    |     |    |
|-----------------------------|-----|-----|-----|----|----|-----|----|
| Type                        | A   | B   | C   | D  | E  | ØF  | ØG |
| HJEM 20 M4                  | 312 | 262 | 97  | 49 | 48 | 201 | 7  |
| HJEM 25 M4                  | 370 | 320 | 100 | 50 | 52 | 253 | 7  |
| HJEM 30 M4                  | 404 | 337 | 156 | 74 | 82 | 308 | 9  |
| HJEM 35 M4                  | 460 | 392 | 160 | 74 | 86 | 361 | 9  |



1 HJEM 20 M4    2 HJEM 25 M4    3 HJEM 30 M4    4 HJEM 35 M4

