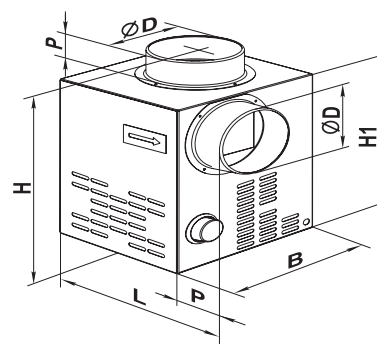


Chimney fans Eco KAM Series

- Chimney fans for hot air distribution allow creating fully-featured air heating system based on a fireplace. Such system is the perfect solution for heating of seasonal houses that serve as a second residence during winter time and provides fast and efficient hot air distribution from chimney to other premises. Used for air distribution with the air temperature range **0° C to 150° C**.
- The fan casing is made of galvanized steel and equipped with heat- and sound insulation. The casing is perforated for the internal air circulation and motor cooling. The temperature regulator is used for setting the temperature level for the fan switching on and off. Fan startup is effected within the range of **0° C to 90° C** depending on the air temperature generated inside the fireplace heat-exchanger.
- The fans are supplied with single-phase motors for operation in **230/50Hz** power supply network. Insulation Class F. The motors have built-in overheating protection with automatic restart. The motor is placed off-airflow and is equipped with forward-curved impeller blades as well as ball bearings for long service life.

Mounting

- The fireplace fans are designed for connection with round air ducts. The fans can be mounted in any position with respect to the airflow direction indicated with a pointer on the casing. Access for the fan maintenance shall be reserved. Warm air feed ducts shall be laid between the fan and each of the heated rooms. Concealed air ducts system with forced warm air circulation allows saving useful space in the house and fits to the house design.



Eco KAM Series

Type	Air Flow (m ³ /h)	Air temperature °C	Voltage (V)	Power (W)	Amperage (A)	RPM	Noise level dB (A)	Price
Eco KAM 125	400	150	230	88	0,40	1.295	39	€ 395,00
Eco KAM 150	520	150	230	88	0,40	1.295	39	€ 395,00

Dimensions (mm)

Type	D	B	H	H1	L	P	Βάρος (Kg)
Eco KAM 125	125	285	350	300	290	40	4,5
Eco KAM 150	150	285	350	300	290	40	5,7

Wind turbine-fans

- Wind turbine-fans use the natural force of the wind to create air flow and provide ventilation.
- The free spinning turbine is self-lubricating, drawing hot humid air from the attic.
- Turbines come in **4 sizes: 125mm, 150mm, 200mm & 250mm**.



Series AE

Type	Diameter (mm)	Price
AE 125	125	€ 54,00
AE 150	150	€ 58,00
AE 200	200	€ 62,00
AE 250	250	€ 75,00