

Access Doors D series

Applications

- Designed for wall or ceiling applications.
- Enable quick and convenient access concealed equipment and utility lines.
- Suitable for high-humidity areas.
- Protected by national patents worldwide.

Design

- Made of high-quality ABS plastic.
- Left or right-side opening (D type).
- Press gently to open and close.
- The swinging D2 doors provide maximum clearance while accessing utility lines.
- A wide range of sizes.

Mounting

- Easy mounting using mortar or glue.
- Universal mountings for left or right-side opening.
- Easy care.



Series D								
Type	a (mm)	b (mm)	c (mm)	d (mm)	e (mm)	y (mm)	g (mm)	h (mm)
D 200 X 200	217	217	173	173	197	5	25	197
D 200 X 300	317	217	273	173	297	5	25	297



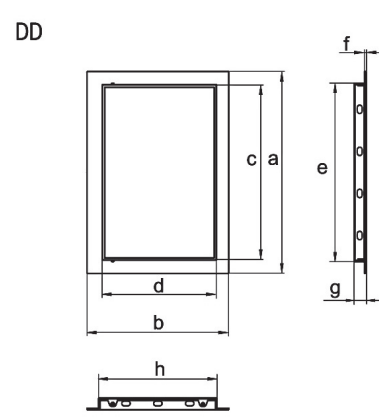
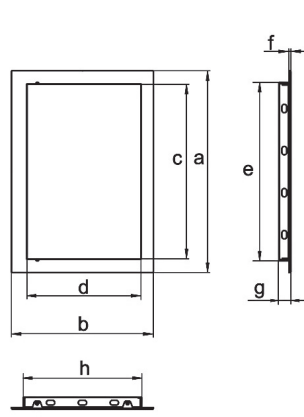
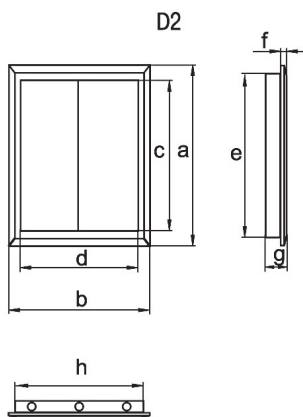
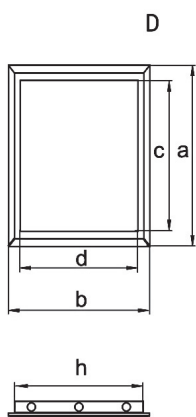
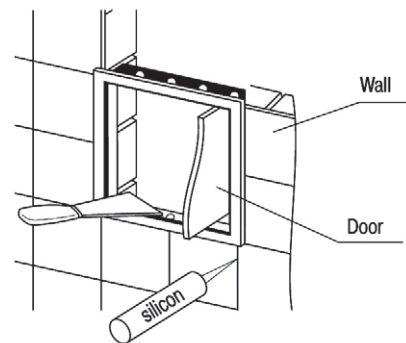
D



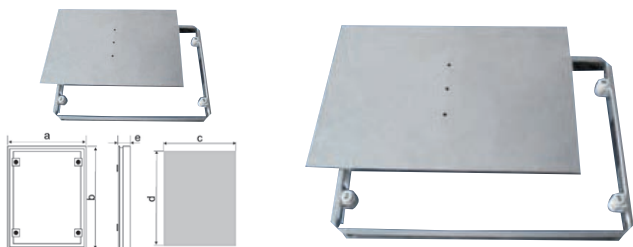
D2



DD



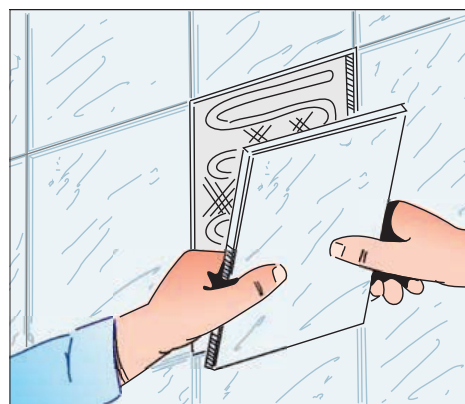
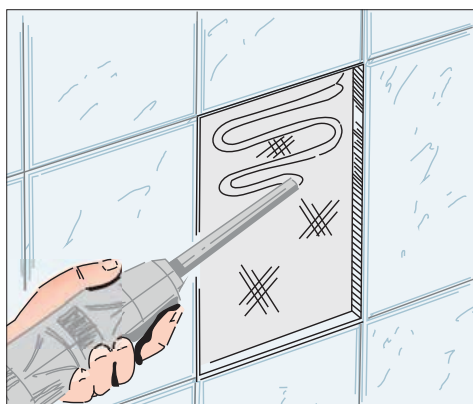
DKM Series



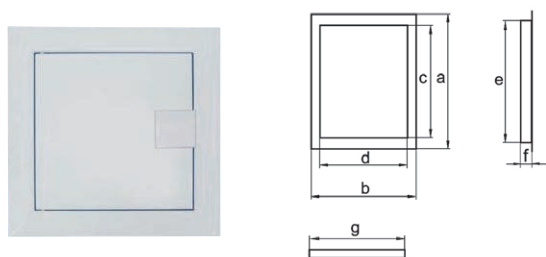
- Designed for wall installation and ceramic tile attachment.
- Easy installation using mounting foam or mortar.
- Height-adjustable magnets enable perfect leveling of tiles to the wall surface.
- Suitable for high-humidity areas.

Series DKM

Type	a (mm)	b (mm)	c (mm)	d (mm)	e (mm)
DKM 200x500	213,6	513,6	200	500	26
DKM 300x300	263,6	313,6	300	300	26
DKM 300x500	313,6	513,6	300	500	26



DMR Series

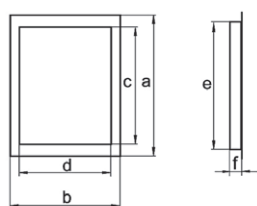


- Designed for wall or ceiling applications.
- Enable quick and convenient access to concealed equipment and utility lines.
- Suitable for high-humidity areas.
- A wide range of sizes.

Series DMR

Type	a (mm)	b (mm)	c (mm)	g (mm)	e (mm)	d (mm)	y (mm)
DMR 150x150	196,5	196,5	146,5	148,5	148,5	146,5	25
DMR 150x300	336	186	296,5	148,5	298,5	146,5	25
DMR 200x400	436	236	396,5	198,5	398,5	196,5	25
DMR 400x400	436	436	396,5	398,5	398,5	396,5	25
DMR 400x500	536	436	496,5	398,5	498,5	396,5	25
DMR 500x500	536	536	496,5	498,5	498,5	496,5	25
DMR 600x600	636	636	596,5	598,5	598,5	596,5	25

DM Series



Applications

- Designed for wall or ceiling applications.
- Enable quick and convenient access concealed equipment and utility lines.
- Suitable for high-humidity areas.
- Protected by national patents worldwide.

Design

- Made of high-quality steel with a durable powder coating.
- The use of zinc phosphate compound ensures 100% coating integrity and provides a reliable corrosion protection.
- Left or right-side opening.
- DM models are equipped with a magnetic latch for convenient opening and closing by gentle pressure.
- DMZ models are equipped with a key lock.
- A wide range of sizes.
- Custom sizes are available upon request.

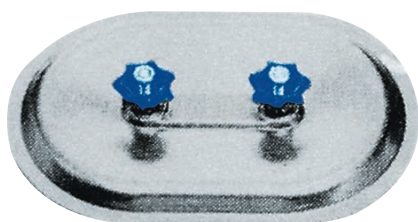
Mounting

- Easy mounting using mortar or glue.
- Universal mountings for left or right-side opening.
- Easy care.

DM Series

Type	a (mm)	b (mm)	c (mm)	g (mm)	e (mm)	d (mm)	f (mm)
DM 150x150	196,5	196,5	146,5	148,5	148,5	146,5	30
DM 150x200	246,5	196,5	196,5	148,5	198,5	146,5	30
DM 150x300	346,5	196,5	296,5	148,5	298,5	146,5	30
DM 200x200	246,5	246,5	196,5	198,5	198,5	196,5	30
DM 200x250	296,5	246,5	246,5	198,5	248,5	196,5	30
DM 200x300	346,5	246,5	296,5	198,5	298,5	196,5	30
DM 200x400	446,5	246,5	396,5	198,5	398,5	196,5	30
DM 250x250	296,5	296,5	246,5	248,5	248,5	246,5	30
DM 250x300	346,5	296,5	296,5	248,5	298,5	246,5	30
DM 300x300	346,5	346,5	296,5	298,5	298,5	296,5	30
DM 300x400	446,5	346,5	396,5	298,5	398,5	296,5	30
DM 300x500	546,5	346,5	496,5	298,5	498,5	296,5	30
DM 400x400	446,5	446,5	396,5	398,5	398,5	396,5	30
DM 400x500	546,5	446,5	496,5	398,5	498,5	396,5	30
DM 500x500	546,5	546,5	496,5	498,5	498,5	496,5	30
DM 600x600	646,5	646,5	596,5	598,5	598,5	596,5	30

Air Duct Access Door (Metal)



- Metal access doors for installation in rectangular duct systems.

Type	Dimensions (mm)	Price
FAD 10 x 6	250 x 150	€31,00
FAD 16 x 12	400 x 300	€54,00

- Metal access doors for installation in circular duct systems.

Type	Dimensions (mm)	Price
RAD 10 x 6	250 x 150	€36,00
RAD 16 x 12	400 x 300	€62,00