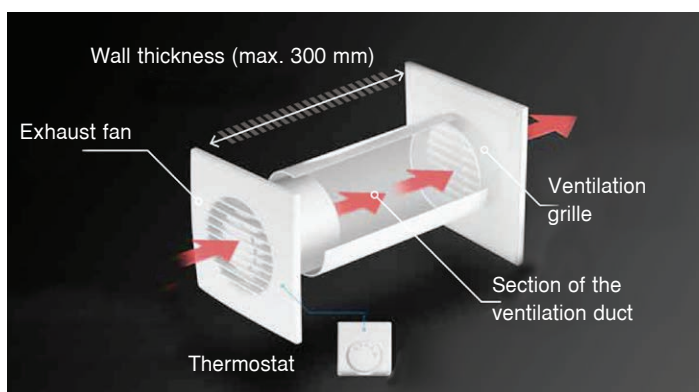
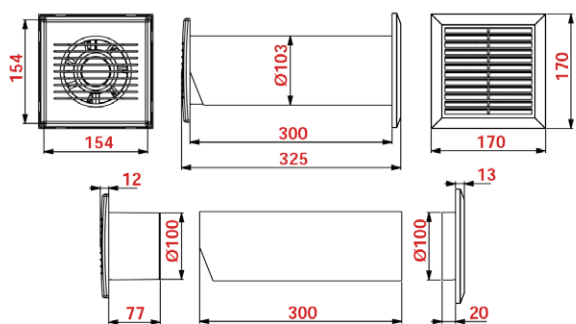


CM100 Series

- CM100 device is intended for the warm air distribution from a room in which there is a source of heat (such as a closed fireplace or wood stove) to an adjacent room, such as a living room, dining room, bedroom, office or corridor.
- In order for the device to operate properly and as it was intended, the exhaust fan and thermostat must be installed in the room in which the heat source is located.
- The temperature at which the fan will start automatically is to be adjusted by means of a potentiometer on the thermostat. After the fan starts, a warm air is exhausted and transferred to the adjacent room. The fan will turn off after the temperature in the room with a heat source is decreased.



CM series				
Type	Power (kW)	Air Flow (m ³ /h)	Noise Level db (A)	Price
CM100	12	60	36	€ 91,00



The CM100 set includes:

- Exhaust fan
- Thermostat
- Section of the ventilation duct
- Ventilation grille

The ventilation duct must be located inside the wall separating both rooms (the length of the duct is optimal for a wall thickness of 300 mm), while the ventilation grille is the end of the duct on the side opposite to the fan.

